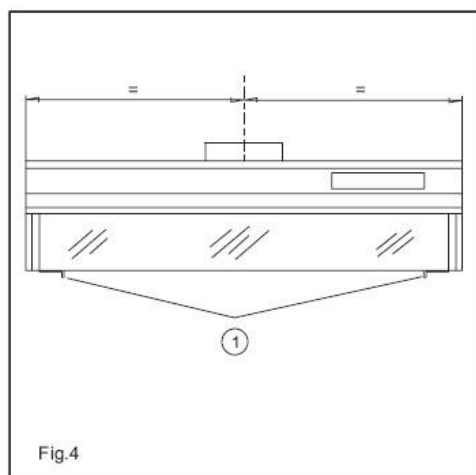
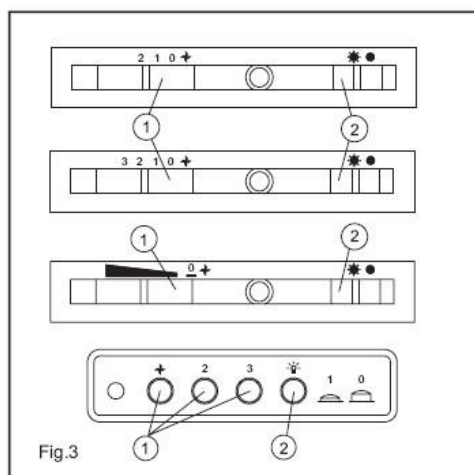
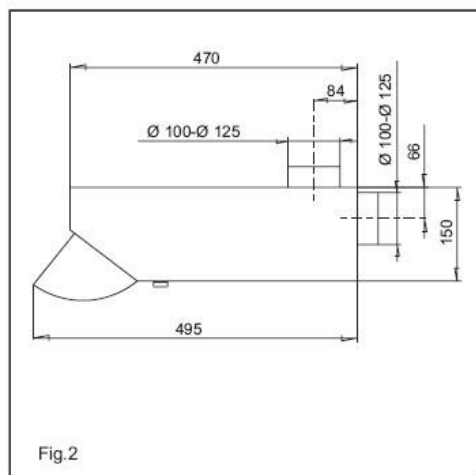
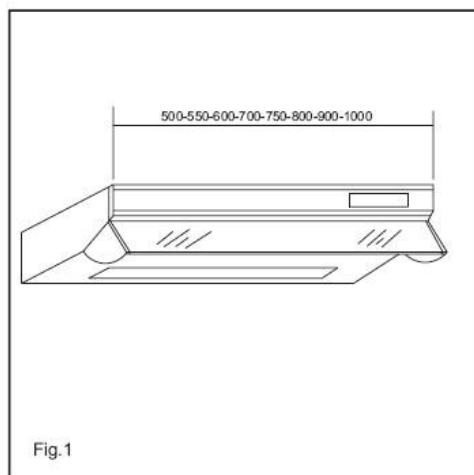
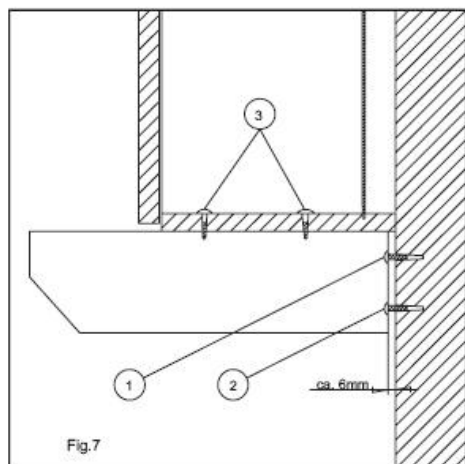
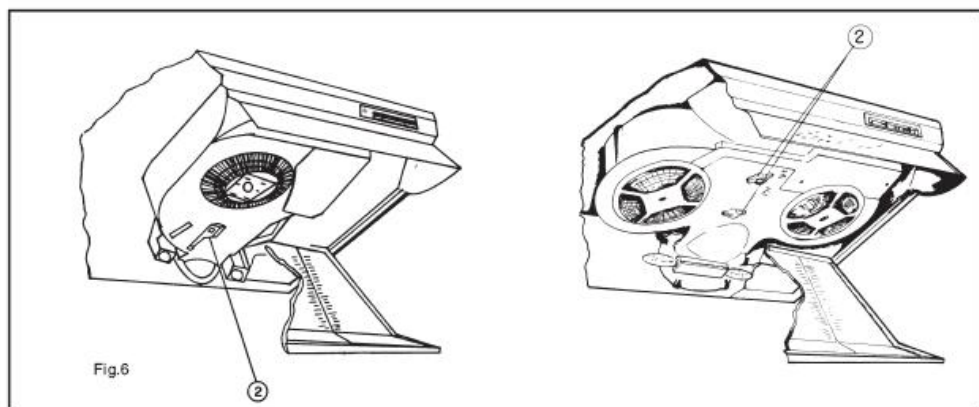
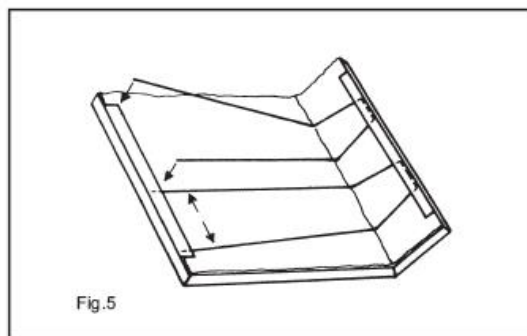




EN Instruction on mounting and use
FR Prescriptions de montage et mode d'emploi
AR طرق التركيب والاستعمال





Closely follow the instructions set out in this manual. All responsibility, for any eventual inconveniences, damages or fires caused by not complying with the instructions in this manual, is declined. This appliance is intended to be used in household and similar application such as: - staff kitchen areas in shop, offices and other working environments; - farm houses; - by clients in hotels, motels and other residential type environments; - bed and breakfast type environments.

- It is important to conserve this booklet for consultation at any moment. In the case of sale, cession or move, make sure it is together with the product.
- Read the instructions carefully: there is important information about installation, use and safety.
- Do not carry out electrical or mechanical variations on the product or on the discharge conduits.
- Before proceeding with the installation of the appliance verify that there are no damaged all components. Otherwise contact your dealer and do not proceed with the installation.

The hood can look different to that illustrated in the drawings in this booklet. The instructions for use, maintenance and installation, however, remain the same.

Note: The parts marked with the symbol "(*)" are optional accessories supplied only with some models or otherwise not supplied, but available for purchase.

Caution

- Before any cleaning or maintenance operation, disconnect hood from the mains by removing the plug or disconnecting the mains electrical supply.
- Always wear work gloves for all installation and maintenance operations.
- This appliance can be used by children aged from 8 years and above and persons with reduced physical, sensory or mental capabilities or lack of experience and knowledge if they have been given supervision or instruction concerning use of the appliance in a safe way and understand the hazards involved.
- Children shall not be allowed to tamper with the controls or play with the appliance.
- Cleaning and user maintenance shall not be made by children without supervision.

- The premises where the appliance is installed must be sufficiently ventilated, when the kitchen hood is used together with other gas combustion devices or other fuels.

- The hood must be regularly cleaned on both the inside and outside (**AT LEAST ONCE A MONTH**).

- This must be completed in accordance with the maintenance instructions provided. Failure to follow the instructions provided regarding the cleaning of the hood and filters will lead to the risk of fires.

- Do not flambé under the range hood.

- Do not remove filters during cooking.

- For lamp replacement use only lamp type indicated in the Maintenance/Replacing lamps section of this manual.

The use of exposed flames is detrimental to the filters and may cause a fire risk, and must therefore be avoided in all circumstances.

Any frying must be done with care in order to make sure that the oil does not overheat and ignite.

CAUTION: Accessible parts of the hood may become hot when used with cooking appliances.

- Do not connect the appliance to the mains until the installation is fully complete.

- With regards to the technical and safety measures to be adopted for fume discharging it is important to closely follow the regulations provided by the local authorities.

- The air must not be discharged into a flue that is used for exhausting fumes from appliance burning gas or other fuels.

- Do not use or leave the hood without the lamp correctly mounted due to the possible risk of electric shocks.

- Never use the hood without effectively mounted grids.

- The hood must NEVER be used as a support surface unless specifically indicated.


- Use only the fixing screws supplied with the product for installation or, if not supplied, purchase the correct screws type.

- Use the correct length for the screws which are identified in the Installation Guide.
- In case of doubt, consult an authorized service assistance center or similar qualified person.

▲ WARNING!

- Failure to install the screws or fixing device in accordance with these instructions may result in electrical hazards.
- Do not use with a programmer, timer, separate remote control system or any other device that switches on automatically.
- This appliance is marked according to the European directive 2012/19/EC on Waste Electrical and Electronic Equipment (WEEE).
- By ensuring this product is disposed of correctly, you will help prevent potential negative consequences for the environment and human health, which could otherwise be caused by inappropriate waste handling of this product.



- The symbol  on the product, or on the documents accompanying the product, indicates that this appliance may not be treated as household waste. Instead it should be taken to the appropriate collection point for the recycling of electrical and electronic equipment. Disposal must be carried out in accordance with local environmental regulations for waste disposal.
- For further detailed information regarding the process, collection and recycling of this product, please contact the appropriate department of your local authorities or the local department for household waste or the shop where you purchased this product.

Appliance designed, tested and manufactured according to:
 • Safety: EN/IEC 60335-1; EN/IEC 60335-2-31, EN/IEC 62233.

- Performance: EN/IEC 61591; ISO 5167-1; ISO 5167-3; ISO 5168; EN/IEC 60704-1; EN/IEC 60704-2-13; EN/IEC 60704-3; ISO 3741; EN 50564; IEC 62301.
- EMC: EN 55014-1; CISPR 14-1; EN 55014-2; CISPR 14-2; EN/IEC 61000-3-2; EN/IEC 61000-3-3. Suggestions for a correct use in order to reduce the environmental impact: Switch ON the hood at minimum speed when you start cooking and kept it running for few minutes after cooking is finished. Increase the speed only in case of large amount of smoke and vapor and use boost speed(s) only in extreme situations. Replace the charcoal filter(s) when necessary to maintain a good odor reduction efficiency. Clean the grease filter(s) when necessary to maintain a good grease filter efficiency. Use the maximum diameter of the ducting system indicated in this manual to optimize efficiency and minimize noise.

Use

The hood is designed to be used either for exhausting or filter version.



Extraction version

In this case the fumes are conveyed outside of the building by means of a special pipe connected with the connection ring located on top of the hood.

▲ CAUTION!

The exhausting pipe is not supplied and must be purchased apart.

Diameter of the exhausting pipe must be equal to that of the connection ring.

▲ CAUTION!

If the hood is supplied with active charcoal filter, then it must be removed.

Connect the hood and discharge holes on the walls with a diameter equivalent to the air outlet (connection flange).

Using the tubes and discharge holes on walls with smaller dimensions will cause a diminution of the suction performance and a drastic increase in noise.

Any responsibility in the matter is therefore declined.

! Use a duct of the minimum indispensable length.

! Use a duct with as few elbows as possible (maximum elbow angle: 90°).

! Avoid drastic changes in the duct cross-section.



Filtration version

The aspirated air will be degreased and deodorised before being fed back into the room.

In order to use the hood in this version, you have to install a system of additional filtering based on activated charcoal.

Installation

The minimum distance between the supporting surface for the cooking equipment on the hob and the lowest part of the range hood must be not less than 65cm from electric cookers and 65cm from gas or mixed cookers.

If the instructions for installation for the gas hob specify a greater distance, this must be adhered to.



Electrical connection

The mains power supply must correspond to the rating indicated on the plate situated inside the hood. If provided with a plug connect the hood to a socket in compliance with current regulations and positioned in an accessible area, after installation. If it not fitted with a plug (direct mains connection) or if the plug is not located in an accessible area, after installation, apply a double pole switch in accordance with standards which assures the complete disconnection of the mains under conditions relating to over-current category III, in accordance with installation instructions.

▲ WARNING!

Before re-connecting the hood circuit to the mains supply and checking the efficient function, always check that the mains cable is correctly assembled.

Warning! If the supply cord is damaged, it must be replaced by the manufacturer, its service agent or similarly qualified persons in order to avoid hazard.

Mounting

Expansion wall plugs are provided to secure the hood to most types of walls/ceilings. However, a qualified technician must verify suitability of the materials in accordance with the type of wall/ceiling. The wall/ceiling must be strong enough to take the weight of the hood.

Do not tile, grout or silicone this appliance to the wall. Surface mounting only.

Preparing the cooker hood for use as a recirculation hood

If the hood is to be used as a recirculation hood the opening must be closed with the cover which is provided. The hood is then switched over from exhaust to recirculation by moving the lever (that is located beneath the left-hand lamp) to the left (fig. 6/2).

When installing the hood and when it is in use, it must be ensured that the opening at the top to the front of the hood is always unobstructed.

Fastening the cooker hood to the wall

1. Using the attached template mark the position of the holes. Before drilling make sure that no wiring will be damaged.
2. Drill the two fastening holes, drive in the wall plugs and screw in the screws until their heads are about 6 mm from the wall (fig. 7/1).
3. Place the hood to the wall in order to check that it seats properly.
Then mark the position of the two holes (fig. 7/2). Take it off from the wall now, drill the holes and fit the plugs.
4. Place the hood once again to the wall, tighten the screws (fig. 7/1) and introduce the screws (fig. 7/2) from the inside of the appliance.

Fastening the cooker hood beneath a wall cupboard

1. Turn the wall cupboard upside down.
2. Using the attached template mark on the wall the positions of the 4 screws holes and the exhaust opening.
3. Using a 4.5 mm bit, drill the four fastening holes in the bottom of the cupboard.
4. **Only for hoods with an exhaust connection pointing upwards.**
Cut the exhaust opening for a pipe of (130 mm diameter) and fasten the pipe flange to the hood.
5. Turn the cupboard back over and stand it on the top of the cooker hood and fasten the hood to the cupboard by means of four screws screwed through the holes that were drilled in the bottom of the cupboard (fig. 7/3).

Operation

The hood is fitted with a push buttons for speed regulation (fig. 3/1).

The light works independently of whether the fan is switched on or off, being provided with a separate on/off switch (fig. 3/2).

Maintenance

Cleaning

Clean using **ONLY** a cloth dampened with neutral liquid detergent. **DO NOT CLEAN WITH TOOLS OR INSTRUMENTS.** Do not use abrasive products. **DO NOT USE ALCOHOL!**

Grease filter

Traps cooking grease particles.

It may be one of the following types:

Paper filter must be replaced once a month or if colouring appears on upper side, in such cases the colouring is evident through the grill openings.

Sponge filter should be washed with hot soapy water once a month and replaced every 5 to 6 washes.

Metallic filter must be cleaned once a month, with non abrasive detergents, by hand or in dishwasher on low temperature and short cycle.

When washed in a dishwasher, the grease filter may discolour slightly, but this does not affect its filtering capacity.

Replacing the grease filter

1. The hood is isolated from the electric supply by withdrawing the power plug.
2. Open the capture flap.
3. In order to open the grid press the clips (fig. 4/1) at the left and at the right one towards the other.
4. Tilt the filter frame downwards and push the frame forwards on one side of the guide and disengage it from the groove.
5. The two ends of the wire yoke are then pressed outwards and lifted upwards (fig. 5). The filter felt can then be removed.

After cleaning the grease-filter frame, the new grease filter to be inserted or filter felt is cut to size and fitted in the frame.

Charcoal filter (filter version only)

It absorbs unpleasant odors caused by cooking.

The saturation of the **charcoal filter** occurs after more or less prolonged use, depending on the type of cooking and the regularity of cleaning of the grease filter.

In any case it is necessary to replace the cartridge at least every four months.

The charcoal filter may NOT be washed or regenerated.

Replacing lamps

Disconnect the appliance from the electricity.

Warning! Prior to touching the light bulbs ensure they are cooled down.

Replace the old light bulb with the one of the same type as specified in the feature label or near the light lamp on the hood.

- Remove the grease filters .
- Replace faulty bulbs, always using new bulbs of **max. 3W (E14)**.
- Refit the grease filters.

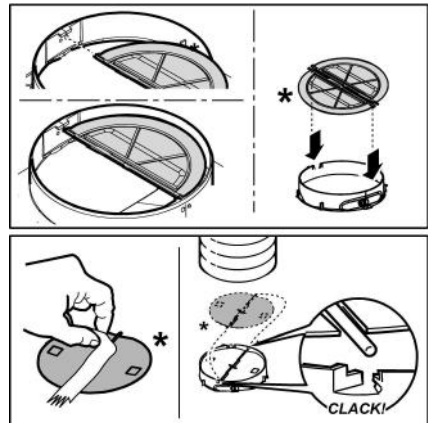
Replace the damaged lamp.

Use E14 3W max LED lamps only. For more details, check enclosed leaflet "ILCOS D" (alphanumeric position "1d").

If the lights do not work, make sure that the lamps are fitted properly into their housings before you call for technical assistance.

On some models ONLY:

A Non Return Backdraft Damper is included in the supply, as optional accessory to be installed under certain installation conditions (i.e. if there is no protection against accidental backdraft of air from the outside). The damper must be installed inside the dedicated housing, inside of the Air Outlet Fitting, before installing the flue.



Suivre impérativement les instructions de cette notice. Le constructeur décline toute responsabilité pour tous les inconvénients, dommages ou incendies provoqués à l'appareil et dûs à la non observation des instructions de la présente notice. Cet appareil est destiné à être utilisé dans des applications domestiques et analogues telles que : - des coins cuisines réservés au personnel dans des magasins, bureaux et autres environnements professionnels ; - des fermes ; - l'utilisation par les clients des hôtels, motels et autres environnements à caractère résidentiel ; - des environnements du type chambre d'hôtes.

- Il est important de conserver ce livret pour pouvoir le consulter à tout moment. En cas de vente, de cession ou de déménagement, assurez-vous que la notice d'utilisation l'accompagne.
- Veuillez lire attentivement les instructions, vous trouverez des informations importantes sur l'installation, le mode d'emploi et la sécurité.
- Ne pas effectuer des modifications électriques ou mécaniques sur le produit ou sur les conduits d'évacuation.
- Avant d'installer l'appareil, vérifiez qu'il n'y a aucun composant endommagé. Sinon, contactez votre revendeur et ne continuez pas l'installation.

La hotte peut avoir des configurations esthétiques différentes par rapport à ce qui est illustré dans les dessins de ce manuel, cependant les instructions pour l'utilisation, l'entretien et l'installation restent identiques.

Remarque : Les pièces portant le symbole "(*)" sont des accessoires optionnels fournis uniquement avec certains modèles ou des pièces non fournies, à acheter.



Attention

- Avant tout entretien ou nettoyage du produit débranchez l'alimentation électrique en retirant la fiche électrique ou en coupant l'interrupteur général.
- Utilisez des gants de travail pour toute opération de nettoyage ou d'entretien.
- Cet appareil peut être utilisé par des enfants âgés d'au moins 8 ans et par des personnes ayant des capacités physiques, sensorielles ou mentales réduites ou dénuées d'expériences ou de connaissances, sauf si ces personnes sont correctement surveillées ou si des instructions relatives à l'utilisation correcte de l'appareil permettant d'éviter tout danger leur ont été communiquées.

- Les enfants ne doivent pas jouer avec l'appareil.

- Le nettoyage et l'entretien par l'utilisateur ne doivent pas être effectués par des enfants sans surveillance.

- La pièce doit avoir une aération suffisante lorsque la hotte est utilisée conjointement avec d'autres appareils fonctionnant au gaz ou autres combustibles.

- La hotte doit être régulièrement nettoyée à la fois à l'intérieur et à l'extérieur (AU MOINS UNE FOIS PAR MOIS); cela devrait se faire en conformité avec les instructions d'entretien. Le non respect des instructions expressément fournies concernant le nettoyage de la hotte et des filtres peut provoquer des risques d'incendie.

- Ne pas flamber d'aliments sous la hotte.

- Pour le remplacement de la lampe, utilisez uniquement le type de lampe spécifié dans la section remplacement/maintenance lampe dans ce manuel.

L'utilisation d'une flamme nue est dommageable pour les filtres et peut causer un incendie, par conséquent, il est déconseillé de l'utiliser.

La friture doit être faite avec soin afin de s'assurer que l'huile surchauffée ne prenne pas feu.

AVERTISSEMENT: Lorsque la table de cuisson est en fonctionnement, les parties accessibles de la hotte peuvent devenir très chaudes.

- Ne pas brancher l'appareil au réseau électrique avant que l'installation ne soit complètement terminée.

- En ce qui concerne les mesures techniques et de sécurité à prendre pour l'évacuation des fumées, respectez strictement les dispositions des règlements locaux.

- L'air ne doit pas être envoyé dans un conduit utilisé pour évacuer les fumées d'appareils utilisant du gaz ou un autre combustible.
- Ne pas utiliser ou laisser la hotte sans les lampes correctement montées, car un éventuel risque de choc électrique est possible.
- N'utilisez jamais la hotte sans la grille montée correctement!
- La hotte ne doit JAMAIS être utilisée comme une surface d'appui, sauf indication expresse.
- Utilisez uniquement les vis de fixation fournies avec le produit pour l'installation, ou, si non fournies, acheter le type correct de vis.
- Utilisez la longueur correcte pour les vis qui sont identifiées dans le Guide d'installation.
- En cas de doute, consultez votre centre de service agréé ou du personnel qualifié.

⚠ ATTENTION !

- Le défaut d'installer les vis et les dispositifs de fixation conformément à ces instructions peut entraîner des risques électriques.
- Ne pas mettre en marche au moyen d'un programmeur, d'une minuterie, ou d'un système de commande à distance séparé ou tout autre dispositif qui met l'appareil sous tension automatiquement.

Cet appareil porte le symbole du recyclage conformément à la Directive Européenne 2012/19/EC concernant les Déchets d'Équipements Électriques et Électroniques (DEEE ou WEEE).

En procédant correctement à la mise au rebut de cet appareil, vous contribuerez à empêcher toute conséquence nuisible pour l'environnement et la santé de l'homme.



Le symbole présent sur l'appareil ou sur la documentation qui l'accompagne indique que ce produit ne peut en aucun cas être traité comme déchet ménager. Il doit par conséquent être remis à un centre de collecte des déchets chargé du recyclage des équipements électriques et électroniques.

Pour la mise au rebut, respectez les normes relatives à l'élimination des déchets en vigueur dans le pays d'installation.

Pour obtenir de plus amples détails au sujet du traitement, de la récupération et du recyclage de cet appareil, veuillez vous adresser au bureau compétent de votre commune, à la société de collecte des déchets ou directement à votre revendeur.

Appareil conçu, testé et fabriqué conformément aux normes suivantes :

- Sécurité : EN/IEC 60335-1; EN/IEC 60335-2-31, EN/IEC 62233.
- Performances : EN/IEC 61591; ISO 5167-1; ISO 5167-3; ISO 5168; EN/IEC 60704-1; EN/IEC 60704-2-13; EN/IEC 60704-3; ISO 3741; EN 50564; IEC 62301.
- EMC: EN 55014-1; CISPR 14-1; EN 55014-2; CISPR 14-2; EN/IEC 61000-3-2; EN/IEC 61000-3-3. Suggestions pour une utilisation correcte afin de réduire l'impact environnemental : Allumer la hotte à la vitesse minimum pendant la cuisson et la laisser fonctionner pendant quelques minutes après la fin de la cuisson. Augmenter la vitesse uniquement en présence d'une grande quantité de fumée ou de vapeur et n'utiliser la/les vitesse(s) accélérées que dans les cas extrêmes. Remplacer le(s) filtre(s) au charbon lorsque cela est nécessaire afin de maintenir une réduction efficace des odeurs. Nettoyer le(s) filtres à graisse lorsque cela est nécessaire afin de maintenir un filtrage efficace des graisses. Utiliser un système de tuyauterie du diamètre maximum indiqué dans ce manuel afin d'optimiser le rendement et de minimiser le bruit.

Utilisation

La hotte est réalisée de façon qu'elle puisse être utilisée en version aspirante à évacuation extérieure, ou filtrante à recyclage intérieur.



Version aspirante

Les vapeurs sont évacuées vers l'extérieur à travers un conduit d'évacuation fixé à la bride de raccord qui se trouve au-dessus de la hotte.

⚠ ATTENTION !

Le tuyau d'évacuation n'est pas fourni et doit être acheté à part.

Le diamètre du tuyau d'évacuation doit être égal à celui de la bride de raccord.

⚠ ATTENTION !

Si la hotte est équipée d'un filtre à charbon, ce dernier doit être enlevé.

Relier la hotte aux tubes et trous d'évacuation de la paroi d'un diamètre équivalent à la sortie de l'air (collier de raccord).

L'utilisation de tubes et des trous d'évacuation à paroi avec un diamètre inférieur entraînera une diminution des performances d'aspiration et une nette augmentation du bruit. Nous déclinons toute responsabilité à cet égard.

! Utiliser un tuyau de la longueur strictement nécessaire.

! Les coudes du tuyau doivent être en nombre minimale (angle maxi du coude: 90°).

! Éviter les variations excessives de section du tuyau.



Version filtrante

L'air d'aspiration sera dégraissé et désodorisé avant d'être renvoyé dans la pièce.

Pour utiliser la hotte dans cette version, vous devez installer un système de filtrage supplémentaire basé sur charbon actif.

Installation

La distance minimum entre la superficie de support des récipients sur le dispositif de cuisson et la partie la plus basse de la hotte de cuisine ne doit pas être inférieure à 65 cm dans le cas de cuisinières électriques et de 65 cm dans le cas de cuisinières à gaz ou mixtes.

Si les instructions d'installation du dispositif de cuisson au gaz spécifient une plus grande distance, il faut en tenir compte.



Branchement électrique

La tension électrique doit correspondre à la tension reportée sur la plaque signalétique située à l'intérieur de la hotte. Si une prise est présente, branchez la hotte dans une prise murale conforme aux normes en vigueur et placée dans une zone accessible également après l'installation. Si aucune prise n'est présente (raccordement direct au circuit électrique), ou si la prise ne se trouve pas dans une zone accessible également après l'installation, appliquez un disjoncteur normalisé pour assurer de débrancher complètement la hotte du circuit électrique en conditions de catégorie surtension III, conformément aux réglementations de montage.

⚠ ATTENTION!

Avant de rebrancher le circuit de la hotte à l'alimentation électrique et d'en vérifier le fonctionnement correct, contrôlez toujours que le câble d'alimentation soit monté correctement.

Attention! Si le câble d'alimentation est endommagé, il doit être remplacé par le fabricant, son service après-vente ou des personnes de qualification similaire afin d'éviter un danger.

Montage

La hotte est équipée de chevilles de fixation convenant à la plupart des parois/plafonds. Il est cependant nécessaire de s'adresser à un technicien qualifié afin de s'assurer que le matériel est approprié au type de paroi/plafond. La paroi/plafond doit être suffisamment solide pour supporter le poids de la hotte.

Préparation de l'appareil pour hotte filtrante

Pour les hottes filtrantes, il faut fermer l'ouverture avec le bouchon fourni. Régler ensuite l'appareil d'aspiration à filtrage : pousser vers la gauche la manivelle qui se trouve en dessous de l'éclairage (fig. 6/2). S'assurer en phase de montage et en début d'utilisation que l'ouverture frontale pour la sortie de l'air soit toujours dégagée.

Montage de l'appareil au mur

1. En utilisant le masque fourni, marquer la position des trous. Contrôler d'abord que les câbles d'installation éventuellement présents ne sont pas abîmés.
2. Pratiquer les trous, insérer les chevilles et visser les vis jusqu'à une distance entre tête et mur de 6 mm (fig. 7/1).
3. Accrocher momentanément la hotte sur le mur pour vérifier que l'installation soit parfaite puis marquer la position des deux trous (fig. 7/2). Enlever l'appareil, pratiquer les trous et insérer les chevilles.
4. Accrocher à nouveau la hotte au mur, tirer les vis (fig. 7/1) et insérer les vis de l'intérieur de l'appareil (fig. 7/2).

Montage de l'appareil sous le meuble haut

1. Retourner l'appareil.
2. Avec le masque fourni, marquer la position des 4 trous de fixation et du trou de sortie de l'air.
3. Pratiquer les trous de fixation (avec une mèche Ø 4,5 mm).
4. **Seulement pour la fonction aspirante vers le haut**
Pratiquer un trou pour le tuyau de sortie. (Ø 130 mm). Fixer la bride de l'appareil.
5. Poser le meuble sur le haut de hotte et visser l'appareil à travers le trou inférieur du meuble avec 4 vis (fig. 7/3).

Fonctionnement

La hotte est équipée d'un interrupteur de réglage de la vitesse (fig. 3/1).

Actionner l'éclairage de l'appareil par l'interrupteur (fig. 3/2).

Entretien

Nettoyage

Pour le nettoyage, utiliser **EXCLUSIVEMENT** un chiffon humidifié avec des détergent liquides neutres. **NE PAS UTILISER D'OUTILS OU D'INSTRUMENTS POUR LE NETTOYAGE !** Éviter l'usage de produits abrasifs, **NE PAS UTILISER D'ALCOOL!**

Filtre anti-gras

Il retient les particules de graisse issues de la cuisson.

Il peut s'agir d'un des modèles suivants:

Le filtre en papier doit être changé une fois par mois ou s'il se colore sur sa partie supérieure, lorsque la coloration transparait au travers de la grille.

Il filtro éponge doit être lavé à l'eau chaude une fois par mois et changé tous les 5/6 lavages.

Il filtro métallique doit être nettoyé une fois par mois avec un détergent non agressif, à la main ou dans le lave vaisselle à basse température et pendant un cycle court.

Le lavage du filtre anti-graisse métallique au lave-vaisselle peut en provoquer la décoloration. Toutefois, les caractéristiques de filtrage ne seront en aucun cas modifiées.

Remplacement du filtre à graisse

1. Déconnecter l'appareil en débranchant le courant électrique.
2. Ouvrir la vitre.
3. Pour ouvrir la grille, pousser les arrêteurs (fig. 4/1) à droite et à gauche de la grille vers le haut.
4. Tourner le cadre du filtre vers le bas, tirer vers l'avant et le décrocher vers le bas.
5. Appuyer sur les deux crochets vers l'extérieur et les soulever (fig. 5). Prélever le filtre.

Après avoir soigneusement lavé le cadre, couper le nouveau filtre à la bonne taille et l'insérer.

S'assurer que les signes rouges du filtre sont tournés vers l'intérieur.

Filtre à charbon actif (uniquement pour version recyclage)

Retient les odeurs désagréables de cuisson.

La saturation du **charbon actif** se constate après un emploi plus ou moins long, selon la fréquence d'utilisation et la régularité du nettoyage du filtre à graisses. Il est nécessaire de changer le filtre après quatre mois, au maximum.

IL NE PEUT PAS être nettoyé ou régénéré.

Remplacement des lampes

Débrancher l'appareil du réseau électrique

Attention! Avant de toucher les lampes, assurez-vous qu'elles soient froides.

Remplacez la vieille ampoule avec le même type tel que spécifié par l'étiquette des caractéristiques ou à proximité de l'ampoule même sur le capot.

- Dégagez les filtres anti-graisse .
- Remplacez les ampoules défectueuses exclusivement par des ampoules de **3W maximum (E14)**.
- Remontez les filtres anti-graisse.

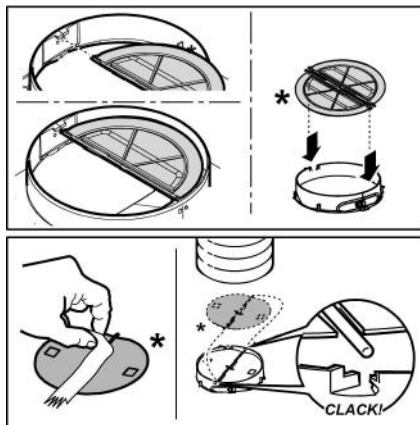
Remplacer l'ampoule brûlée.

Utiliser uniquement des ampoules LED de 3W-E14 (maximum). Pour de plus amples détails, consulter la notice jointe "ILCOS D" (position alphanumérique "1d").

Dans l'éventualité où l'éclairage ne devait pas fonctionner, vérifier si les lampes ont été introduites correctement dans leur logement, avant de contacter le service après-vente.

UNIQUEMENT sur certains produits :

Un Clapet Anti-Retour des Fumées est fourni comme accessoire en option, à installer. Si les conditions d'installation le requièrent (par ex. : absence de protections contre le retour accidentel de courants d'air de l'extérieur), l'insérer dans le logement dédié du Raccord de Sortie d'Air avant d'installer le conduit d'échappement des fumées.



استبدال المصباح

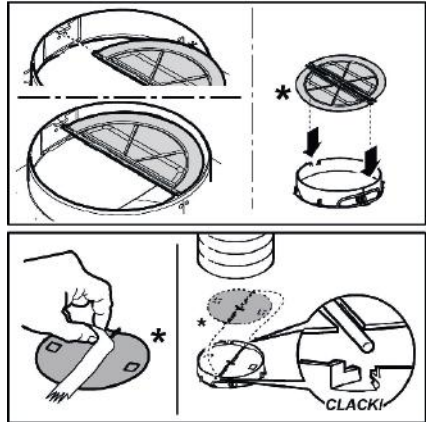
افصل الجهاز عن شبكة التيار الكهربائي.
تنبيه! قبل لمس المصباح، تأكد من أنها باردة.
استبدل المصباح المتضرر بأخر جديد من نفس النوع على النحو المحدد في الملصق التعريفي أو بالقرب من المصباح نفسه في الشفّاط.

- انزع مرشحات إزالة الدهون.
 - استبدل المصباح المتضرر باستخدام مصباح E14 W 3 (E14) كحد أقصى.
 - أعد تركيب مرشحات إزالة الدهون.
- استبدل المصباح التالف
استخدم فقط مصابيح الليد بقوة لا تتجاوز E14-3W. لمزيد من التفسير، قم باستشارة الورقة الملحقة "D ILCOS" (الوضع الرقمي الأبجدي "1d").

في حالة عدم عمل الإضاءة، قوموا بالتأكد من إتمام عملية إدخال المصباح في مكانها قبل الاتصال بخدمة الدعم الفني.

فقط في بعض المنتجات:

يأتي صمام عدم رجوع الأدخنة مع المنتج ليتم تركيبه كملحق تشغيلي اختياري. إذا كانت ظروف التشغيل تجعل من الضروري استخدام هذا الملحق (على سبيل المثال عند نقص أدوات الحماية ضد العودة العرضية لتلوثات الهواء من الخارج)، قم بإدخال هذا الملحق التشغيلي في مكانه المعد خصيصًا لذلك داخل كوع توصيل مخرّج الهواء قبل تركيب أنبوب طرد الأدخنة.



تركيب الجهاز بالجدار

الصيانة

1. عن طريق القناع المرفق بالجهاز، قم بتحديد وضعية الفتحات. تحقق أولاً من عدم إصابة كابلات التركيب بأية أضرار.
2. قم بعمل الفتحات ثم أدخل فيها مراسي تثبيت البراغي ثم قم بوضع البراغي وتثبيتها حتى تكون المسافة بين الرأس والجدار 6 ملم (الشكل 1/7).
3. ضع الشفاط مؤقتاً على الحائط للتحقق من الاستواء التام لتركيبه، ثم قم بتحديد مكان فتحتي التثبيت (الشكل 2/7). انزع الجهاز من على الحائط ثم قم بعمل الفتحتين وأدخل بهما مراسي تثبيت للبراغي.
4. ضع الشفاط مرة أخرى على الحائط ثم قم بشد البراغي (الشكل 1/7) ثم أدخلها من داخل الجهاز (الشكل 2/7).

مرشّح إزالة الدهون

يجزّ في داخله جسيمات الدهون الناتجة عن عملية الطهي.

يُمكن أن يكون هذا المرشّح من أحد الأنواع التالية:
المرشّح الورقي، يجب استبداله مرّة كل شهر أو إذا كان ملوّثاً في الناحية العلوية، عندما يظهر هذا اللون من فتحات الشبكة.

المرشّح الإسفنجي يجب غسله بالماء الساخن والصابون مرة واحدة كل شهر واستبداله كل 5/6 مرات غسيل.

المرشّح المعدني يجب تنظيفه مرة واحدة كل شهر، باستخدام منظفات غير عدوانية، بطريقة يدوية أو بوضعه في غسالة الأطباق على درجة حرارة منخفضة وبدورة غسيل قصيرة. عند الغسيل في غسالة الأطباق فإن مرشّح إزالة الدهون المعدني يمكن أن يفقد لونه ولكن خصائصه ومواصفاته المتعلقة بعملية الترشيح لا تتغير مطلقاً.

استبدال مرشّح إزالة الدهون

1. أخرج الجهاز عن طريق فصله عن التيار الكهربائي.
 2. افتح زجاج التغطية الشبكي.
 3. لفتح شبكة التغطية ادفع المثبتات (الشكل 1/4) إلى يمين وإلى يسار شبكة التغطية واحد نحو الآخر.
 4. اقلب إطار المرشّح نحو الأسفل، ثم قم بشده إلى الأمام ثم قم بفك تشبيقه نحو الأسفل.
 5. اضغط على دعائمي التركيب نحو الخارج ثم قم برفعهما (الشكل 5). اسحب المرشّح.
- بعد تنظيف الإطار بشكل دقيق اضبط مقاس المرشّح الجديد على المقاس الصحيح ثم أدخله في مكانه.
- انتبه لأن تكون الإشارات الحمراء اللون الموجودة على المرشّح متجهة إلى الداخل.

مرشّح الكربون النشط (فقط في الإصدار المزود بالترشيح)

يجزّ الروائح الكريهة الناتجة عن عملية الطهي.

يحدث امتلاء مرشّح الكربون بعد فترة استخدام طويلة وفقاً لنوعية المطبخ وطبيعة وعدد مرات تنظيف وغسل مرشحات حجب وإزالة الدهون. يجب في كل الأحوال استبدال الخرطوشة كل أربعة شهور كحد أقصى. لا يجوز غسله أو إعادة تنشيطه.

تركيب الجهاز بخزانة مغلّقة.

1. اقلب الخزانة المغلّقة.
2. ومن خلال القناع المرفق بالجهاز والمعد خصيصاً لذلك، حدد مكان الـ 4 فتحات التثبيت وفتحة مخرج الهواء.
3. قم بعمل فتحات التثبيت (بواسطة مسامير ثقّب قطر 4,5 ملم).
4. فقط كوظيفة الشفاط نحو الأعلى
قم بعمل الفتحة المخصصة لأنبوب مخرج الهواء. (قطر 130 ملم). قم بتثبيت شفة توصيل الجهاز.
5. ضع الخزانة المغلّقة على القناع العلوي من الشفاط ثم ثبت الجهاز عن طريق القناع السفلي للخزانة المغلّقة باستخدام 4 براغي (الشكل 3/7).

التشغيل

هذا الشفاط مزود بقاطع تيار لضبط السرعة (الشكل 1/3). لإشعال الإضاءة قم بتشغيل المقطاع (الشكل 2/3).

مادختسلا

تم تصميم وتصنيع هذا الشفّاط ليتم استخدامه كموديل شفط وتفريغ وتردد خارجي أو كموديل ترشيح ذي نظام تدوير داخلي.

⚠️ التنويع الكهربي

يجب أن يتوافق تردد وفلطية التيار الموجود في شبكة التيار الكهربائي المنزلية مع تردد وفلطية التيار المحدد لتشغيل الشفّاط والمذكور على لوحة البيانات التعريفية والمواصفات الموجودة داخل الشفّاط. في حالة وجود قابس تيار قم بتوصيل الشفّاط بأخذ تيار مطابق للقواعد والقوانين المعمول بها في هذا الشأن والذي يجب تواجده في منطقة قريبة سهلة الوصول إليها أيضاً بعد إتمام عملية التركيب. في حالة عدم وجود قابس التيار للتوصيل المباشر بشبكة التيار) أو في حالة أن قابس التيار موجود في مكان بعيد صعب الوصول إليه، حتى بعد إتمام عملية التركيب، قم بوضع مفتاح قطع وتوصيل تيار ثانوي الأقطاب مطابق للمواصفات التي تضمن الفصل الكامل للتيار الكهربائي في حالات الحمولات الكهربائية الزائدة من الفئة III، بالشكل الذي يتطابق مع قواعد وشروط التركيب.



موديل الشفط

يتم طرد الأبخرة إلى الخارج عن طريق أنبوب التفريغ المثبت على حافة الوصلة.

⚠️ انتبه!

أنبوب التفريغ لا يأتي مع الجهاز ويجب شراءه. فُطّر أنبوب التفريغ يجب أن يكون مساوي لفطر حلقة التوصيل.

⚠️ انتبه!

إذا كان الشفّاط مزوّد بمرشح / مرشحات كربون، يجب إزالة هذا المرشح / المرشحات.

قم بتوصيل الشفّاط بأنابيب وفتحات التفريغ الحائطية والتي فُطّر ها يجب أن يكون مساوي لمخرج الهواء (حافة الوصلة).

استخدام أنابيب أو فتحات تفريغ حائطية بفُطر أقل يمكن أن يتسبب في تقليل مستوى الأداء التشغيلي لعملية الشفط ويؤدي إلى زيادة كبيرة وملحوظة في مستوى الضوضاء.

لا تتحمّل الشركة المصنعة أيّة مسؤولية كانت في هذا الشأن.

! استخدم أنبوب بأقل طول ضروري.

! استخدم أنبوب به أقل قدر ممكن من الانحناءات (الحد الأقصى لزاوية الانحناء: 90°).

! تجنب التغييرات العنيفة لقطاع الأنبوب.

⚠️ انتبه!

قبل إعادة توصيل دائرة الشفّاط بشبكة التيار الكهربائي وقبل التأكد من عمله بالشكل الصحيح، يجب دائماً التأكد أولاً من أن كابل شبكة التيار قد تم تركيبه بالشكل الصحيح.

تنبيه! عملية استبدال كابل التوصيل يجب أن تتم من قبل خدمة الدعم الفني المعتمدة أو من قبل فني مصرح له القيام بهذه العملية.

التركيب

تم تزويد الشفّاط بمراسي براغي للتثبيت تناسب الغالبية من أنواع الحوائط والأسقف. ومع ذلك يجب استشارة فني متخصص ليؤكد لكم مدى ملائمة هذه المواد وفقاً لنوعية الحائط/السقف. يجب أن يكون الحائط/السقف قوي الإنشاء والتكوين بشكل يكفي لحمل ودعم ثقل الشفّاط.

إعداد الجهاز للشفط المرشح

في حالة الشفط المرشح يجب بالضرورة غلق الفتحة بالسدادة المرفقة بالجهاز. وبالتالي يجب تحويل الجهاز من شفط إلى مرشح: ادفع نحو اليسار ذراع التحريك الموجود في الجانب السفلي من مكان الإضاءة (الشكل 2/6). تحقق في مرحلة التركيب وعند بدء مادختسلا من أن الفتحة الأمامية لخروج الهواء دائماً مفتوحة وخالية من العوائق.



موديل الترشيح

يتم تخليص الهواء المشفوط من الدهون ثم إزالة الروائح الكريهة منه قبل إعادة ضخه في الغرفة. قبل استخدام الشفّاط بموديل الترشيح يجب تركيب نظام ترشيح إضافي يعمل بالكربون النشط.

التركيب

يجب ألا يقل الحد الأدنى للمسافة الفاصلة بين سطح الأوعية التي يتم وضعها على موقد الطهي والجزء السفلي من الشفّاط عن 65 سم في حالة موائد الطهي الكهربائية و65 سم في حالة موائد الطهي التي تعمل بالغاز أو الموائد التي تعمل سواء بالغاز أو بالكهرباء.

إذا ما كانت التعليمات الخاصة بتركيب جهاز الطهي الذي يعمل بالغاز تحدّد مسافة فاصلة أكبر، فإنّه يجب أخذ ذلك في الاعتبار.

تم تصميم هذا الجهاز وتصنيعه واختباره تشغيليًا وفقًا للمواصفات التالية:

• الأمن والسلامة: EN/IEC 60335-1؛ EN/IEC 60335-2؛ EN/IEC 62233 و 31.

• الأداء التشغيلي: ISO 5167-1؛ ISO 61591؛ EN/IEC 5167-3؛ ISO 5168؛ EN/IEC 60704-1؛ EN/IEC 60704-2-13؛ EN/IEC 60704-3؛ ISO 3741؛ EN 50564؛ IEC 62301.

• الكهرومغناطيسي: EN 55014-1؛ CISPR 14-1؛ EN 55014-2؛ CISPR 14-2؛ EN/IEC 61000-3-2؛ EN/IEC 61000-3-3.

61000-3-3. اقتراحات لكيفية استخدام الجهاز بالشكل الصحيح بغرض تقليل الأثر البيئي له: عند بدء عملية الطهي، أوقد الشفاط على الحد الأدنى للسرعة، مع تركه يعمل أيضاً بوضع دقائق بعد الانتهاء من عملية الطهي. لا تقم بزيادة السرعة إلا في حالة الكميات الكبيرة من الدخان والبخر، مع استخدام وظيفة الجهاز المعزز في الحالات القصوى فقط. من أجل الحفاظ على الفعالية الجيدة لجهاز تخفيض الروائح، استبدل، عندما يلزم، مرشح/ مرشحات الكربون. من أجل الحفاظ على الفعالية الجيدة لمرشح الدهون، قم بتنظيفه في حالة الضرورة. من أجل تحسين الفعالية للحد الأمثل وتقليل الضوضاء للحد الأدنى، استخدم أقصى قطر لنظام الأنابيب المشار إليه في هذا الكتيب.

يجب أن يتم القلي تحت مراقبة من أجل تجنب أن يشتعل الزيت الساخن. انتبه: عند استخدام موقد الطهي يمكن أن تُصبح الأجزاء القريبة من الشفاط ساخنة.

• لا توصّل الجهاز بشبكة التيار الكهربائي إلا بعد الانتهاء تمامًا من عملية التركيب.

• فيما يخص الإجراءات الفنية وتلك الخاصة بالأمن والسلامة والتي يجب اتخاذها لشطف وطرود الأدخنة، يجب الرجوع دائمًا إلى ما تنص عليه لوائح وقوانين السلطات المحلية المعنية بهذا الشأن والالتزام بها.

• لا يجب توجيه وطرود الهواء المسحوب من الشفاط في الأنابيب المستخدمة لتفريغ وطرود الأدخنة الناتجة عن أجهزة الاحتراق التي تعمل بالغاز أو بأي محروقات أخرى.

• لا تستخدم أو تترك الشفاط دون مصابيح مركبة بشكل صحيح لتجنب خطر الصعق الكهربائي المحتمل.

• لا تقم أبدًا باستخدام الشفاط دون شبكة مركبة بشكل جيد!
• لا يجب استخدام الشفاط أبدًا كسطح إسناد إلا أن يُشار إلى ذلك صراحةً.

• لا تستخدم إلا مسامير التثبيت المرفقة مع المنتج من أجل التركيب، أو إن لم تكن مرفقة، اشتر نوع المسامير الصحيح.
• استخدم البراغي ذات الأطوال الصحيحة والتي تم تحديدها في دليل عملية التركيب.


• في حالة الشك، استشر مركز الدعم الفني المعتمد أو العمالة المؤهلة المماثلة.

⚠ تنبيه!

- عدم تركيب براغي وأجهزة التثبيت بالشكل المحدّد في الإرشادات الواردة في هذا الدليل يمكن أن يُعرّضك لأخطار كهربائية.
- لا تستخدم الجهاز مع أداة برمجة أو مؤقت أو جهاز تحكم عن بعد منفصل أو أي جهاز يتم تنشيطه تلقائيًا.

يحمل هذا الجهاز علامة التوافق مع توجيه الأوروبي 19/2012/EC، والخاص بنفايات المعدات والأجهزة الكهربائية والإلكترونية (WEEE). عند قيام المستخدم بالتخلص من الجهاز بعد انتهاء عمره التشغيلي بالشكل الصحيح، فإنه بذلك يُساهم في تدارك حدوث أية عواقب سلبية أو أضرار على البيئة وعلى الصحة.



يشير الرمز  الموجود على المنتج أو على الوثائق المرفقة إلى أن هذا المنتج لا يجب التعامل معه في نهاية عمره التشغيلي على أنه أحد النفايات المنزلية العادية ولكن يجب تسليمه إلى مركز مختص بتجميع الأجهزة الكهربائية والإلكترونية وإعادة تدويرها. تخلص من هذا الجهاز وفقًا للقوانين المحلية بشأن التخلص من النفايات. لمزيد من المعلومات حول معالجة هذا المنتج وإعادة استخدامه وإعادة تدويره، يُرجى الاتصال بالمكتب المحلي المختص، أو بخدمة جمع النفايات المنزلية، أو بالمُتجر الذي اشتريته منه هذا الجهاز.

اللازمة للاستخدام الصحيح لهذا الجهاز وبعد توعيتهم بالأخطار ذات الصلة.

- يجب مراقبة الأطفال حتى لا يلعبوا بالجهاز.
- لا يجب أن تُنفذ النظافة والصيانة من قِبل أطفال دون مراقبة.

• يجب توفير تهوية كافية في مكان التركيب خاصة عند استخدام شفاط المطبخ في نفس وقت عمل أجهزة أخرى تعمل بالغاز أو بأي محروقات أخرى.

• يجب أن يُنظف الشفاط بصفة متكررة سواء من الداخل أو من الخارج (على الأقل مرة شهرياً)، التزم في جميع الأحوال بما تشير إليه صراحة تعليمات الصيانة. عدم مراعاة قواعد تنظيف الشفاط وعمليات استبدال وتنظيف المرشحات يسبب أخطار الحرائق.

• ممنوع منعاً باتاً طهي الطعام باللهب تحت الشفاط.

• لاستبدال المصابيح استخدم مصابيح من النوعية المحددة والمذكورة في قسم صيانة استبدال المصابيح في هذا الدليل.

استخدام اللهب الحُر ضارٌ للغاية بالمرشحات ويمكن أن يسبب الحرائق، لذلك يجب تجنّب القيام بذلك في جميع الأحوال.

يرجى اتباع التعليمات والإرشادات الواردة في هذا الدليل والالتزام التام بها. لا تتحمل الشركة المصنعة أية مسؤولية أياً كانت عن أية مشاكل أو أضرار أو حرائق تلحق بالجهاز نتيجة لعدم مراعاة التعليمات الواردة في هذا الدليل. تم تصميم هذا الشفاط لشطف الأذخنة والأبخرة الناتجة عن عمليات الطهي وهو مخصص فقط للاستخدام المنزلي.

- من المهم حفظ جميع الكتيبات المرافقة للمنتج للمتّكّن من الإطلاع عليها مستقبلاً عند الحاجة إلى ذلك. في حالة البيع أو التنازل أو النقل، تأكد من أن الكتيبات تبقى مع المنتج.
 - اقرأ بعناية التعليمات: توجد معلومات هامة بشأن التركيب والاستخدام والأمان.
 - لا تُنفذ تعديلات كهربائية أو ميكانيكية على المنتج أو على أنابيب الصرف.
 - تحقق من سلامة الشفاط واكتمال مكوّناته قبل الشروع في عملية التركيب. خلاف ذلك يجب الاتصال بوكيل التوزيع ويجب إيقاف عملية التركيب.
- يمكن للشفاط من الناحية الشكلية الجمالية أن يختلف عن تصميمات الشفاطات الواردة في هذا الدليل، ولكن بالرغم من ذلك فإن تعليمات الاختسلا والصيانة والتركيب تظل نفسها. ملاحظة: المكونات التي تحمل الرمز «(*)» هي عبارة عن ملحقات تشغيلية اختيارية تأتي فقط مع بعض الموديلات أو قد لا تأتي معها ويجب شرائها عند الحاجة إليها.

⚠ تحذيرات

• قبل أية عملية نظافة أو صيانة، افصل الشفاط عن الشبكة الكهربائية عن طريق نزع القابس أو فصل المفتاح العام للمنزل.

• من أجل إجراء كافة عمليات التركيب والصيانة استخدم قفازات عمل.

• يمكن استخدام هذا الجهاز من قِبل الأطفال الأكبر من سن 8 سنوات والأشخاص الذين يعانون من قصور في قدراتهم البدنية أو الحسية أو العقلية، أو الذين لديهم نقص في الخبرة اللازمة أو المعرفة الضرورية لاستخدام هذا الجهاز شريطة أن يكونوا تحت ملاحظة وإشراف شخص بالغ أو بعد تعريفهم بالإرشادات والتعليمات

